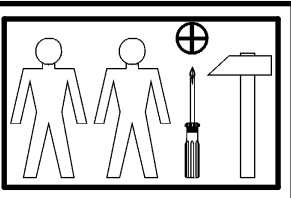
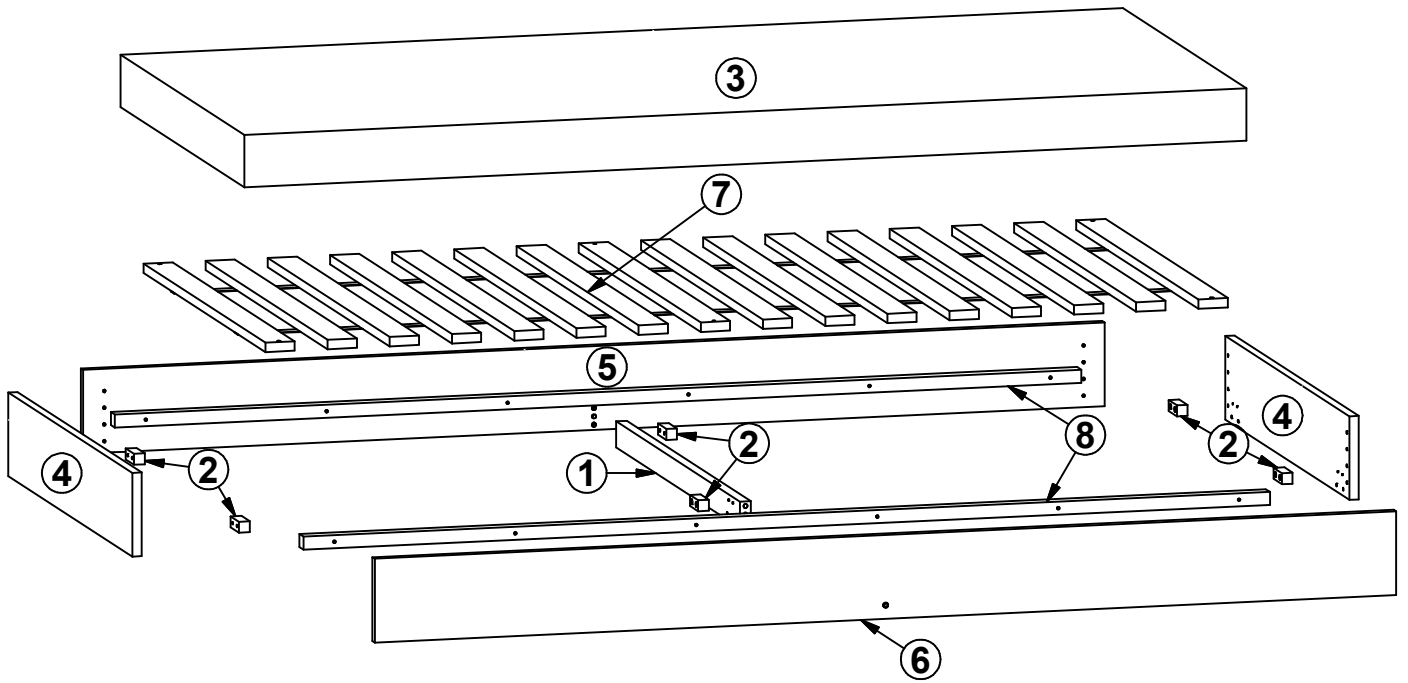
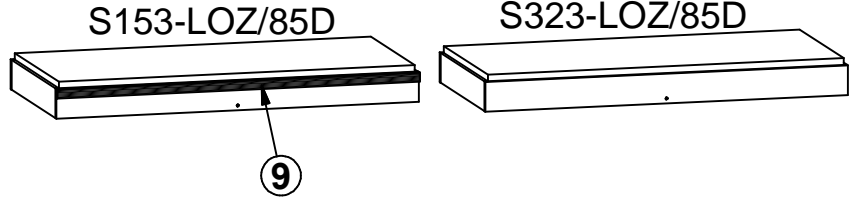


A S153-LOZ/85D CAPS

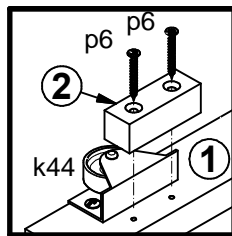
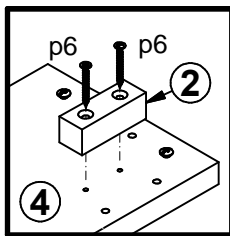
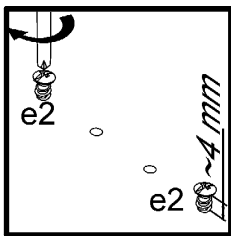
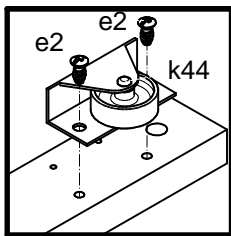
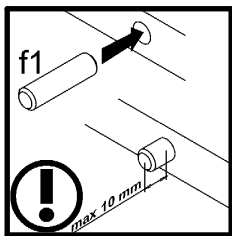
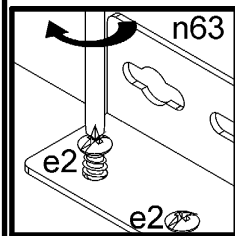
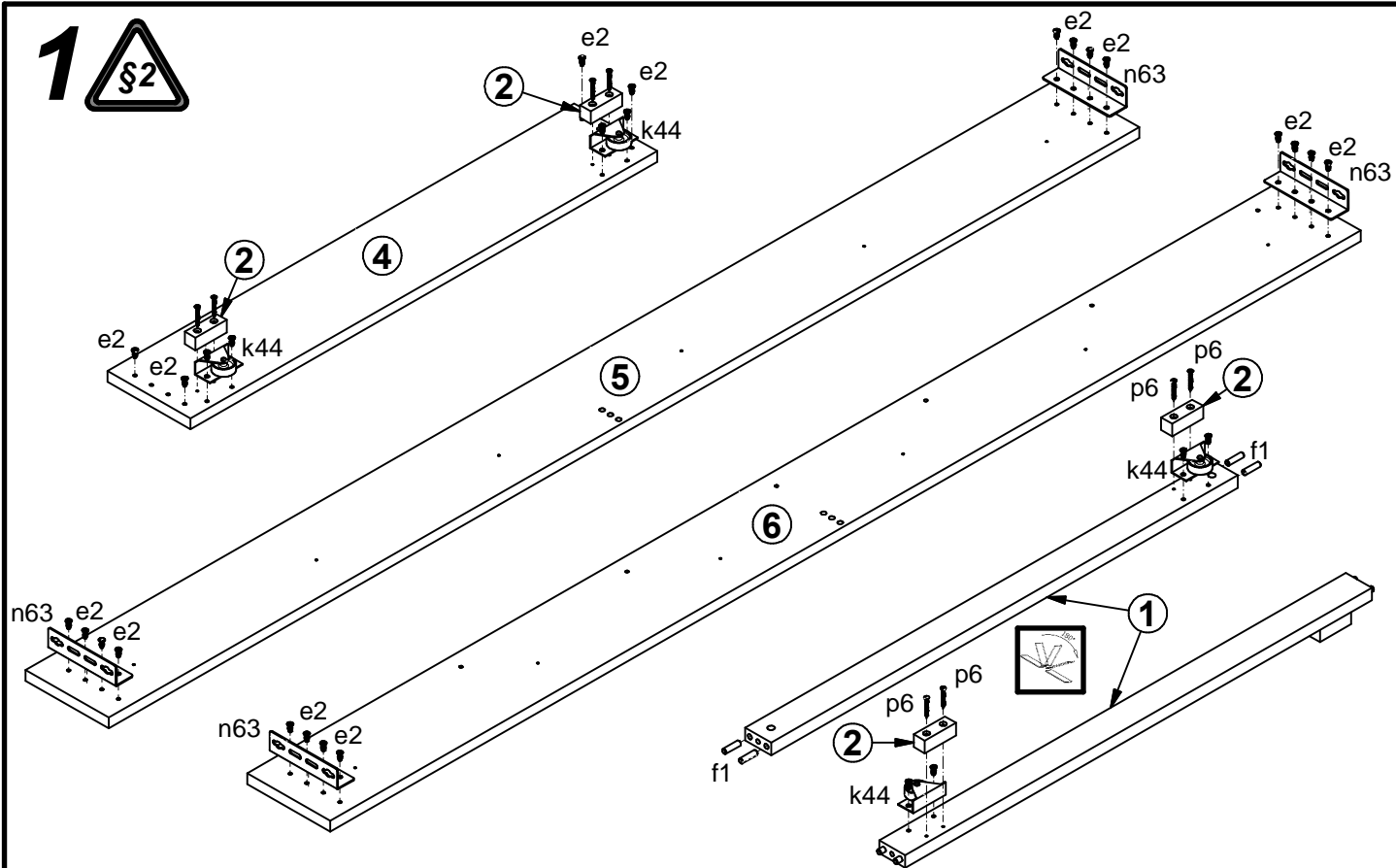
S323-LOZ/85D COLORADO

A	B	C		D	
				S323	S153
1	S153-401	900	50	1/2	1/3
2	S153-402	60	21	1/2	1/3
3	S153-413	1950	900	2/2	2/3
4	S153-501	900	160	1/2	1/3
5	S153-502	1987	160	1/2	1/3
6	S323-507	1987	160	1/2	1/3
7	ZZ1-504	1872	886	1/1	1/1
8	ZZ1-720	1880	25	1/2	1/3
9	S153-576	1986	49	-	3/3

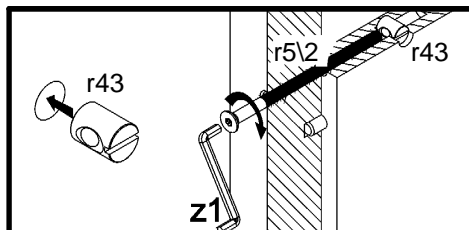
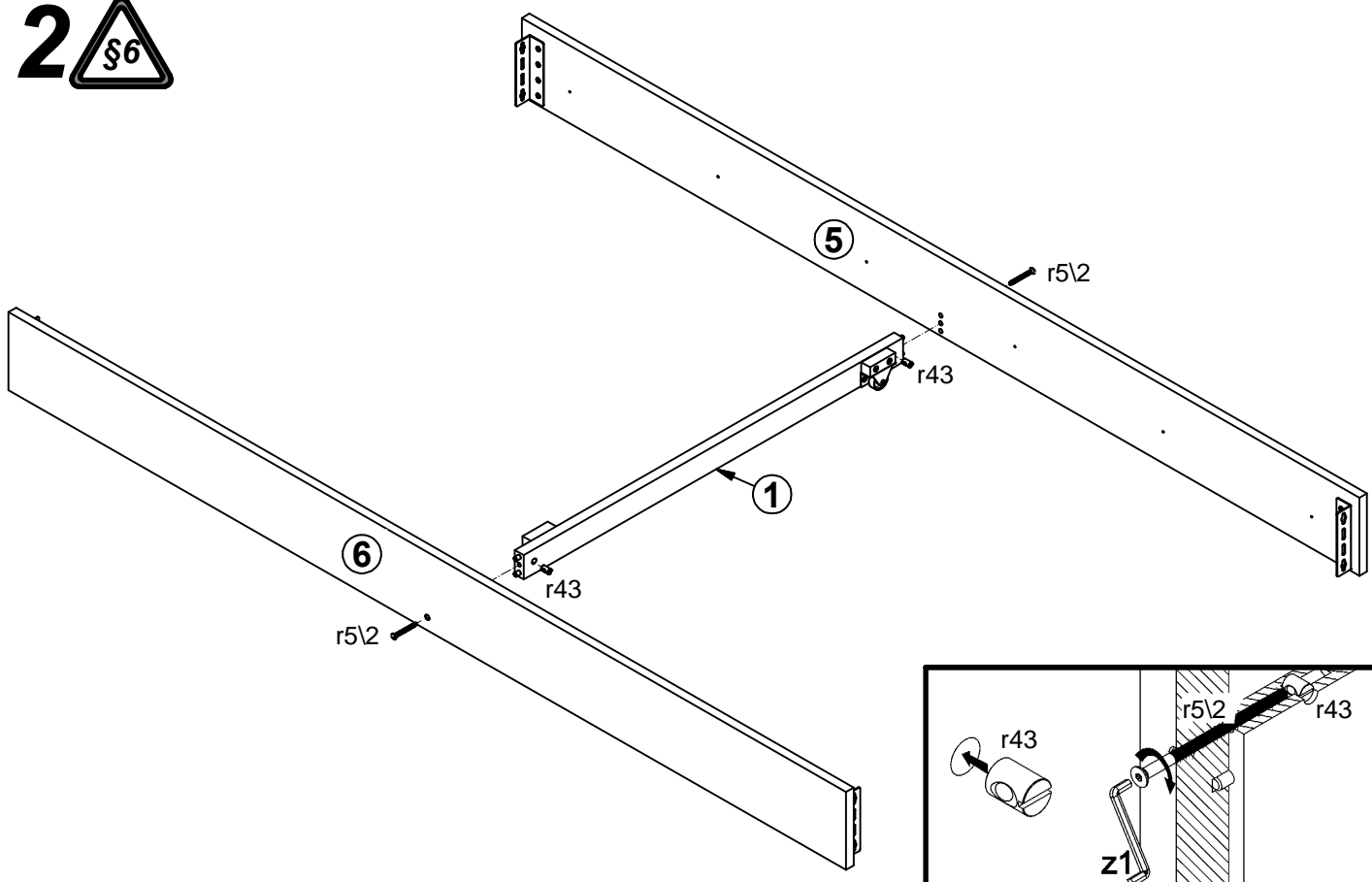


44x φ6,3x13 mm e2	4x φ8x30 mm f1	6x k44	4x 130x34x34,2mm n63	18x φ4x3,5 mm p6	12x φ4x4,5 mm p11	2x φ6x54 mm r5/2	2x φ10x16mm r43	2x s1
1x z1								

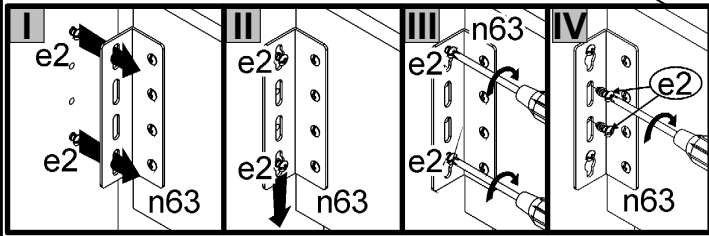
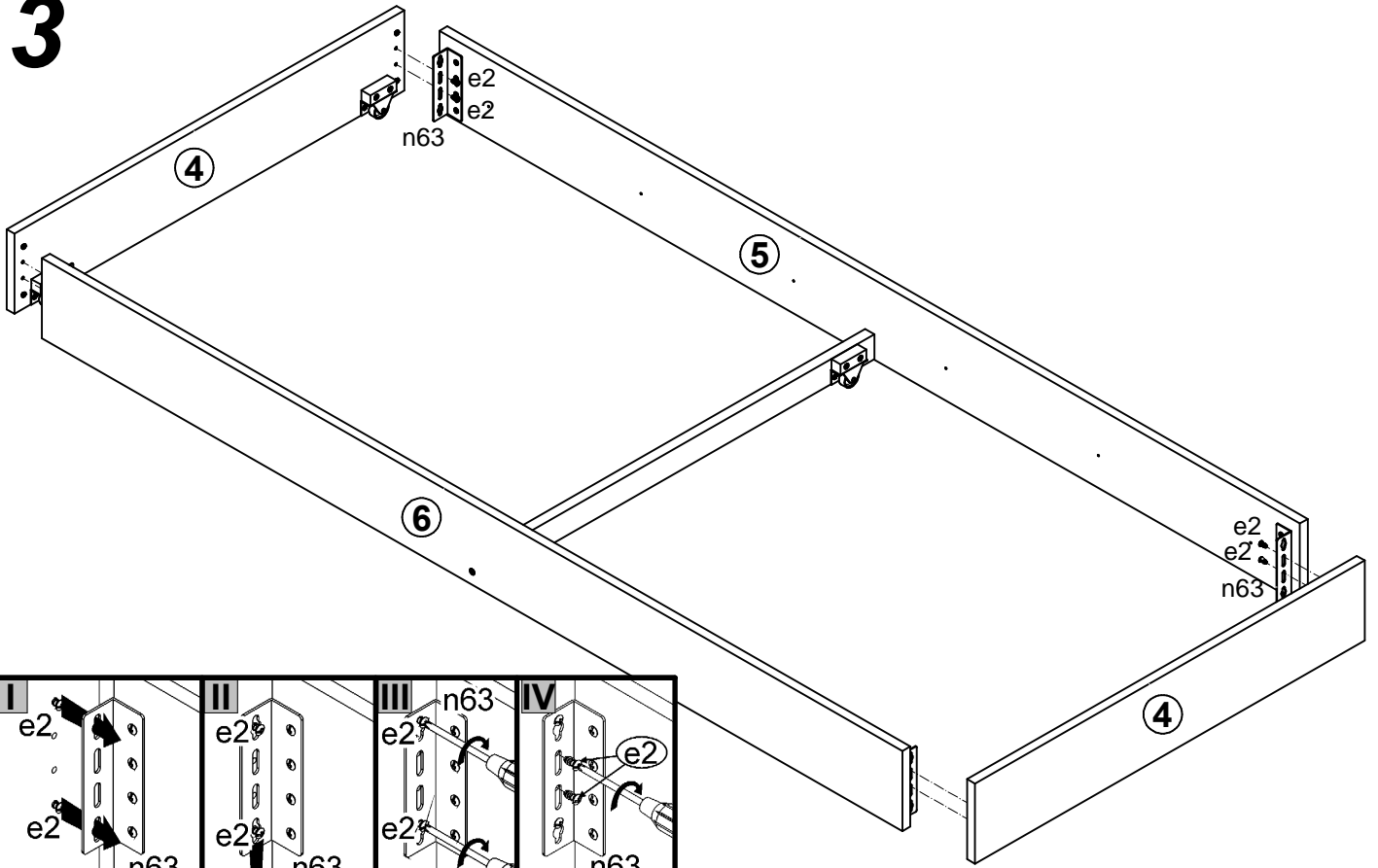
1



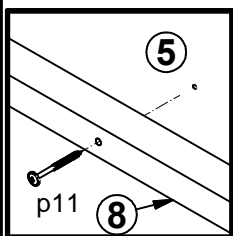
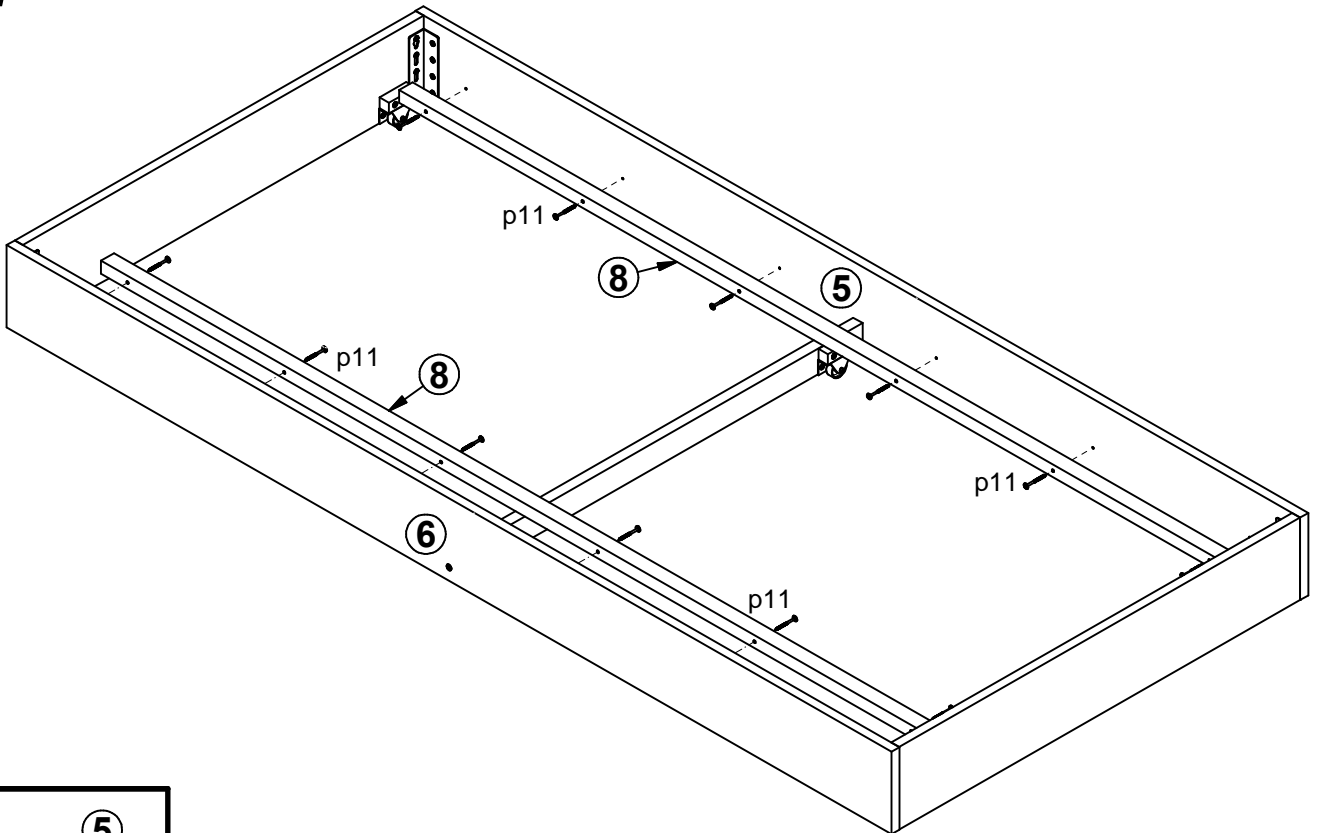
2



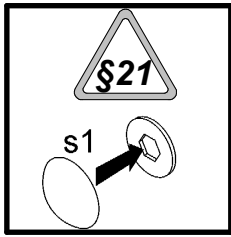
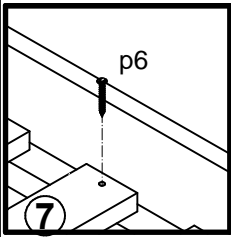
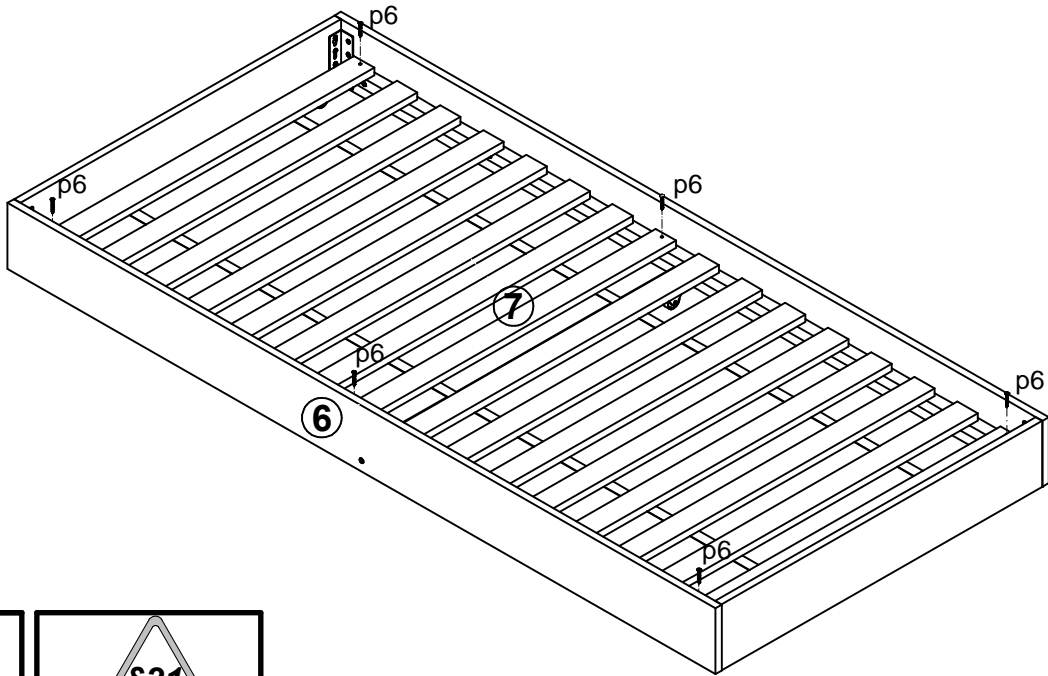
3



4



5



S153-LOZ/85D

A	B	C	D
9	S153-576	1986	49
			3/3

