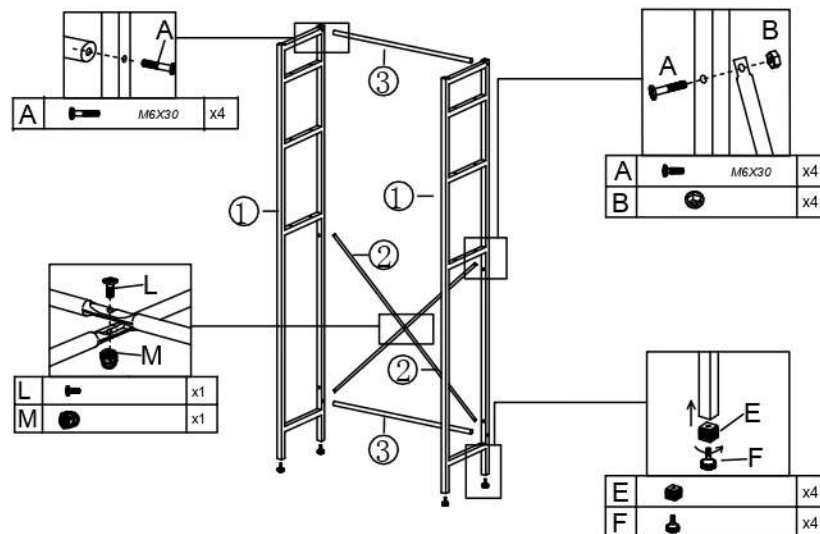
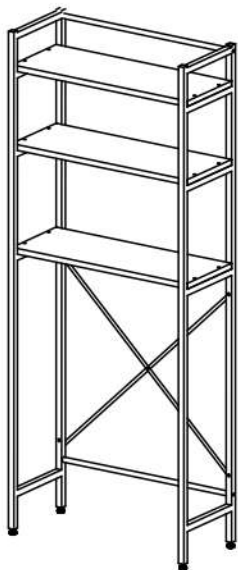


BALRAM KP-R103



① x2 	② x2 	③ x2 	④ x3
	A.x20 	B.x16 	D.x4
E.x4 	F.x4 	G.x1 	H.x1
L.x1 	M.x1 		

